

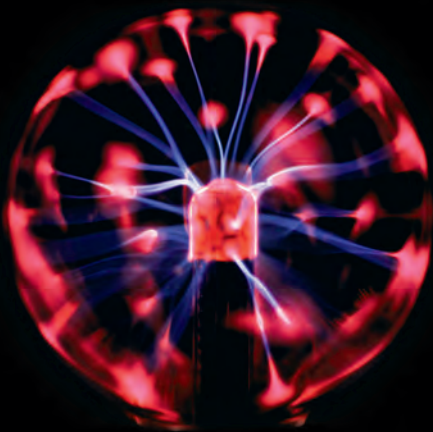


GKN Driveline

Efficiency · Performance · Dynamics

electrified thinking.

eDrive Systems



CVJ
Systems



AWD
Systems



Trans Axle
Solutions



**eDrive
Systems**

Challenges are opportunities.

We don't think in straight lines at GKN Driveline. Our global experience and innovative thinking gives us a major advantage when it comes to providing the ultimate driveline system or solution.



GKN Driveline

Efficiency · Performance · Dynamics

A pioneer and systems leader in advanced electric and hybrid drivelines, GKN Driveline continues to deliver driveline systems and solutions to the world's automotive manufacturers.

GKN Driveline designs, develops and manufactures an impressive range of standardised products - from eAxles, for hybrid, electric all-wheel drive and compact systems for low power drive, to compact, lightweight eTransmissions for purely electric vehicles. In addition to the standardised range, GKN Driveline works closely with vehicle manufacturers' teams to innovate eDrive systems for the future.

With the focus on efficiency, performance and dynamics, GKN Driveline technology is centred on continuous improvement and innovation in the application of alternative power sources and sustainable energy in systems that deliver outstanding performance.

The challenges of tomorrow are met by engineers with energy, innovation and endeavour, providing vehicle manufacturers with the ultimate choice in driveline systems and solutions.

When you need ideas in electric and hybrid eDrives.

Think GKN Driveline.



CVJ
Systems



AWD
Systems



Trans Axle
Solutions



eDrive
Systems





eDrive
Systems

discover the value of our eDrive Systems.

a pioneer in advanced electric and hybrid drivelines

- systems leadership capability
- standard product range
- 200,000 vehicles on the road
- eTransmissions success in each major automotive region



Full hybrid, eDrive and
hang-on AWD eAxles

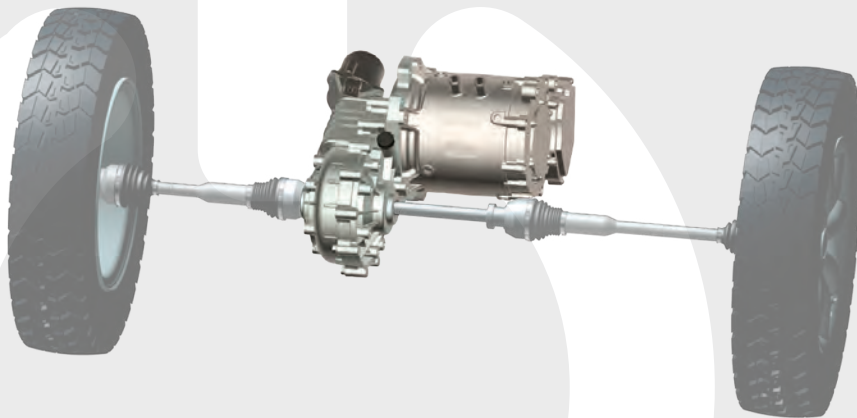
when...

you need ideas in electric and h

Com
transm



Compact lightweight
transmissions for electric
vehicles



Compact eMotor assist
AWD eAxles

Hybrid eDrives.



GKN Driveline

Efficiency · Performance · Dynamics